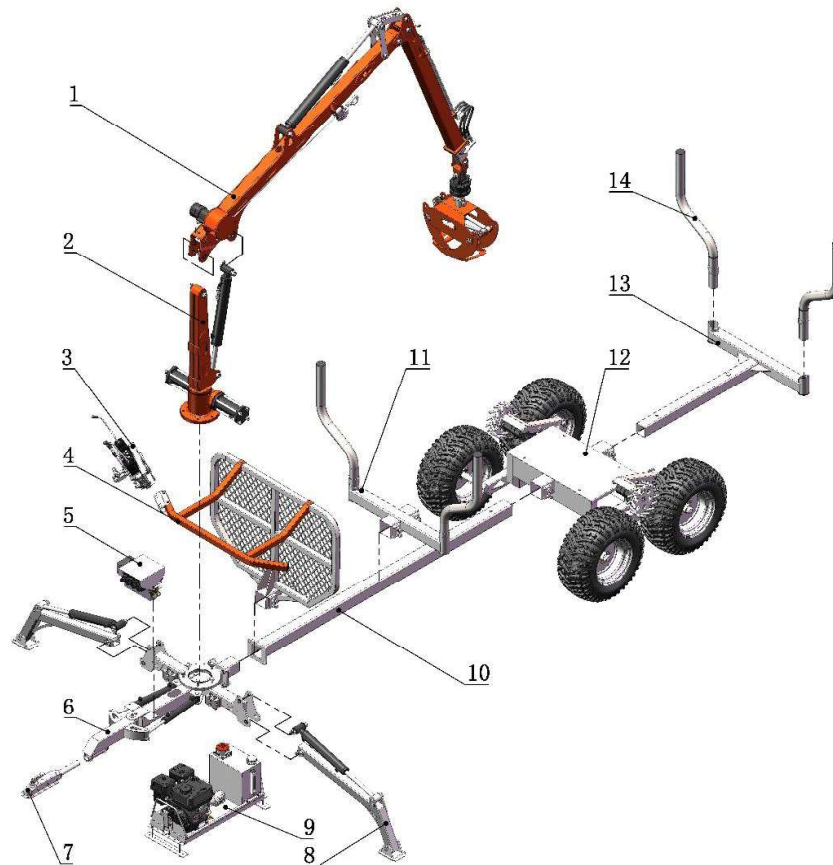
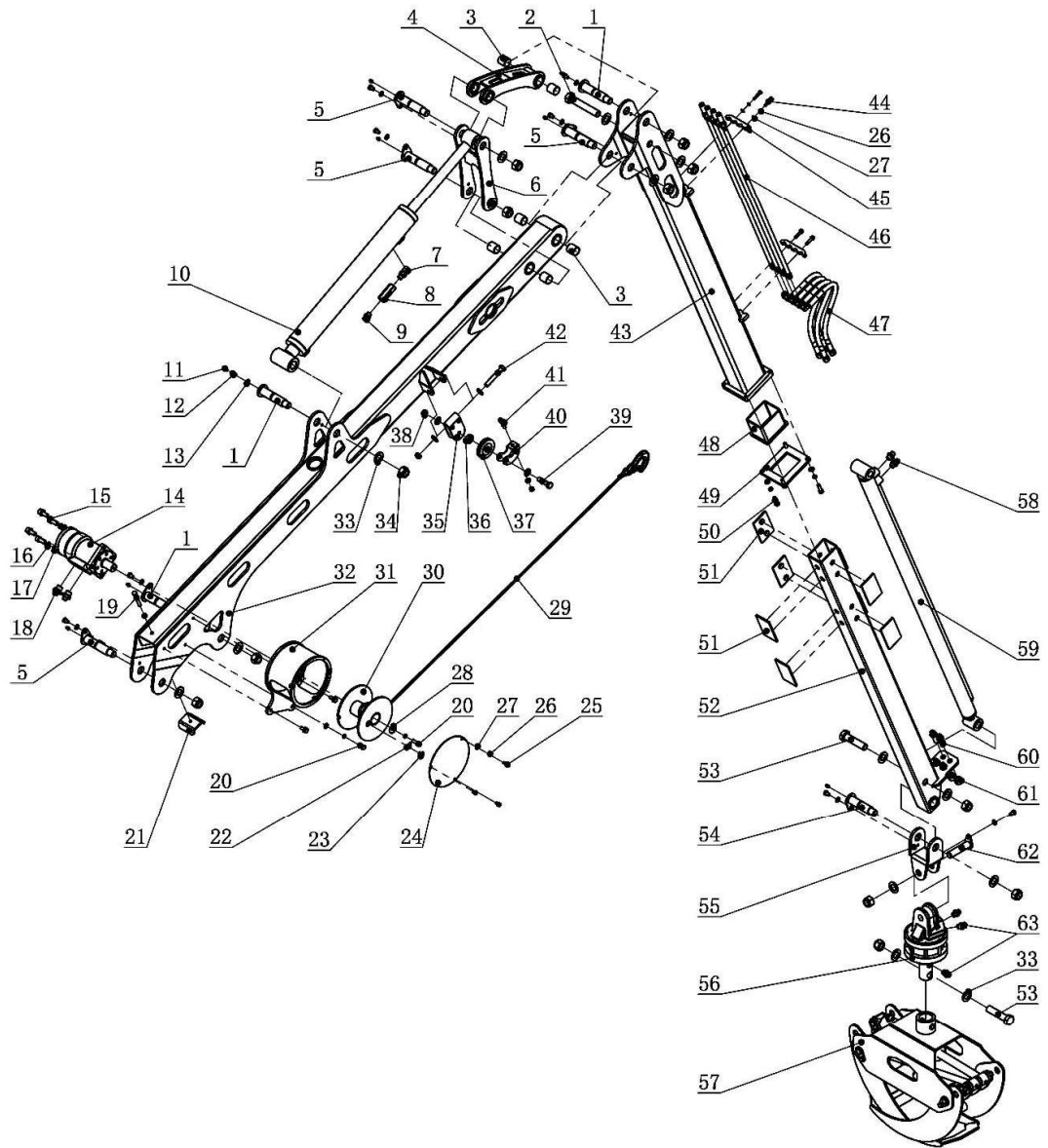


Exploded View



GENERAL ASSEMBLY			
NO.	Drawing No	Part name	Qty.
1	450-01	Crane	1
2	450-02	Support frame	1
3	450-03	Multi-Control Valves	1
4	450-04	Front protection net	1
5	450-05	Solenoid valve	1
6	450-06	Front main frame	1
7	450-07	Trailer cover	1
8	450-08	Supporting legs	2
9	450-09	power unit	1
10	450-010	Trailer long tube	1
11	450-011	Front railing support	1
12	450-012	wheel frame base	1
13	450-013	rear railing support	1
14	450-014	Railings	4

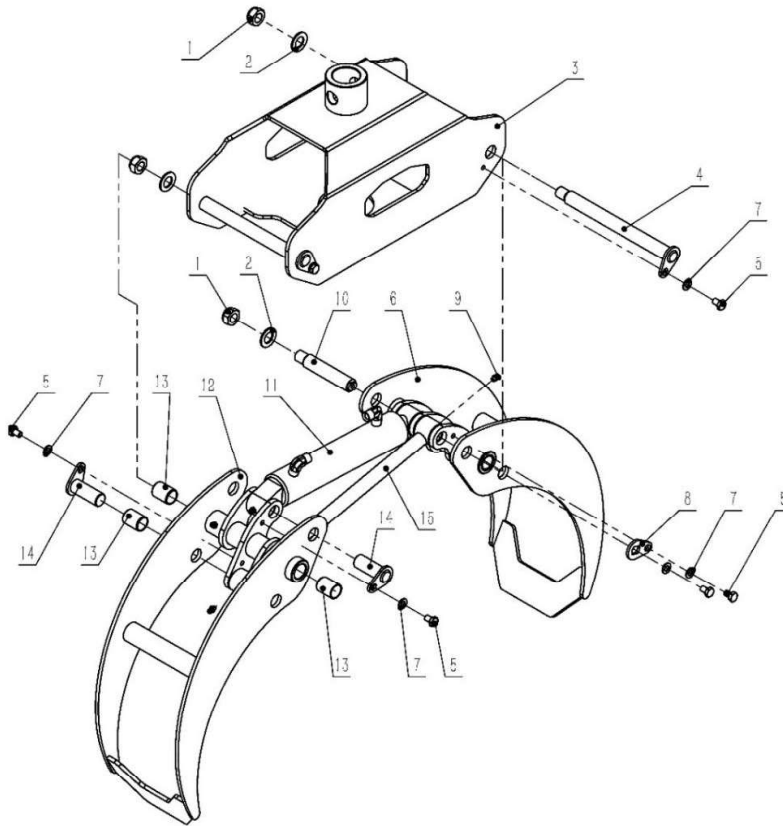
450-01 Crane



450-01 Crane			
NO.	Drawing No	Part name	Qty.
1	31. 7130. 322	connecting pin I	3
2	GB / T 5782-2000	Hex Bolts M20×120	1
3	61. 7115. 606	Copper sets 252825	6
4	31. 7125. 325	Connecting rod weldment	1
5	31. 7130. 322	connecting pin II	4
6	31. 7125. 345	Middle arm cylinder support weldment	1
7	76. 7115. 7640	Hose connector M14-3/8	1
8	76. 7130. 769	Explosion-proof valve	1
9	76. 7115. 7641	Connector M14-3/8	1
10	85. 7225. 852	Middle arm cylinder	1
11	JB / T 7940.1-1995	Oil Cup M6	8
12	GB / T 5783-2000	Hex Bolts M8X12	9
13	GB / T 97.1-2002	Flat Washers 8	17
14	86. 101. 863	Hydraulic motor	1
15	GB / T 70.1-2008	Hexagon socket head screw M10X25	4
16	GB / T 859-1987	spring washer 10	4
17	GB / T 97.1-2002	Flat Washers 10	4
18	76. 7130. 7605	Connector M18-M14	2
19	GB / T 5782-2000	Hex Bolts M8X60	1
20	GB / T 5783-2000	Hex Bolts M8X20	4
21	21. 7130. 299	Oil pipe pressure plate	1
22	21. 7130. 278	Wire rope pressure plate	1
23	GB / T 70.3-2008	Hexagon Countersunk Head Screws M8×12	1
24	21. 7525. 2515	Winch cover	1
25	GB / T 5783-2000	Hex Bolts M6×12	3
26	GB / T 93-1987	spring washer 6	7
27	GB / T 97.1-2002	Flat Washers 6	7
28	GB / T 5287-2002	Large flat washer 8	1
29	81. 7130. 802	winch wire rope	1
30	31. 7130. 340	winch	1

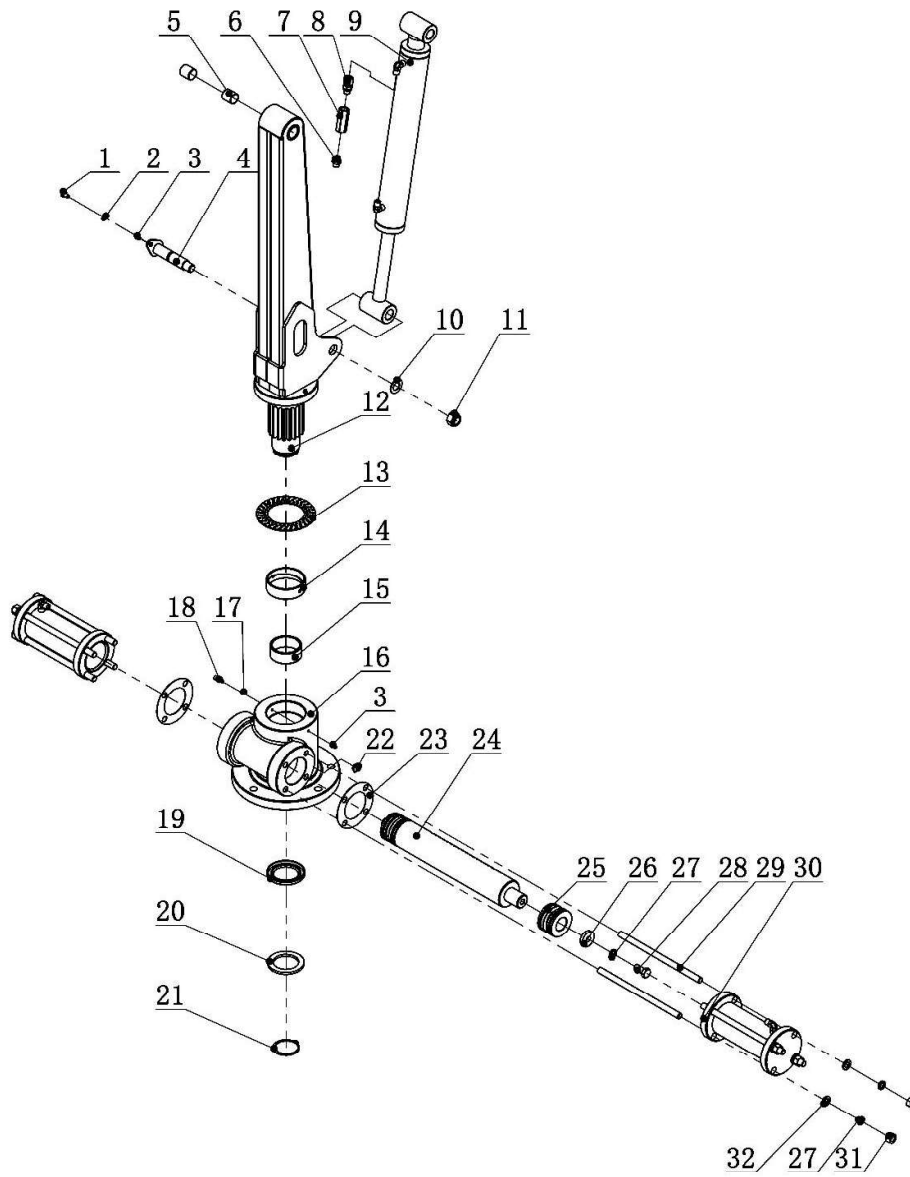
31	31. 7525. 3507	winch guard	1
32	31. 7525. 318	Crane middle arm	1
33	GB / T 97.1-2002	Flat Washers 20	15
34	GB / T 889.1-2000	Lock nut M20	12
35	21. 7130. 281	Pulley Mounting Plate	1
36	GB/T 276-2013	Bearing [6001-2RS]	1
37	11. 7130. 149	Pulley	1
38	GB / T 889.1-2000	Lock nut M12	2
39	GB / T 5783-2016	Hex Bolts M12×45	1
40	21. 7130. 280	Wire rope limit plate	1
41	GB / T 825-1988	Screw rings M8	1
42	GB / T 5782-2000	Hex Bolts M12×75	1
43	31. 7525. 311	Crane forearm	1
44	GB / T 5782-2000	Hex Bolts M6X30	6
45	21. 7525. 25520	Oil pipe fixing block II	2
46	73. 7130. 7302	Fixed tubing	4
47	73. 7525. 2667	Telescopic boom tubing	1
48	43. 7130. 432	Wear sleeve	1
49	43. 7130. 433	Wear sleeve fixing plate	1
50	GB / T 5783-2000	Hex Bolts M8X30	4
51	43. 7130. 431	Wear plate	8
52	31. 7525. 313	Telescopic boom	1
53	GB / T 5782-2000	Hex Bolts M20×85	2
54	31. 7115. 322	Connecting pin III	1
55	31. 7115. 330	Motor connector	1
56	86. 7130. 861	Rotary motor	1
57	99. 7125. 901	Log grapple	1
58	76. 7130. 7604	Connector M14	2
59	85. 7525. 855	Telescopic boom cylinder	1
60	76. 7130. 7603	Extension connector M14	4
61	GB / T 6170-2000	Hex nuts M14	4
62	31. 7130. 332	Rotary motor pin	1
63	76. 7130. 7604	Connector M14	6

450-01-51 Grappler



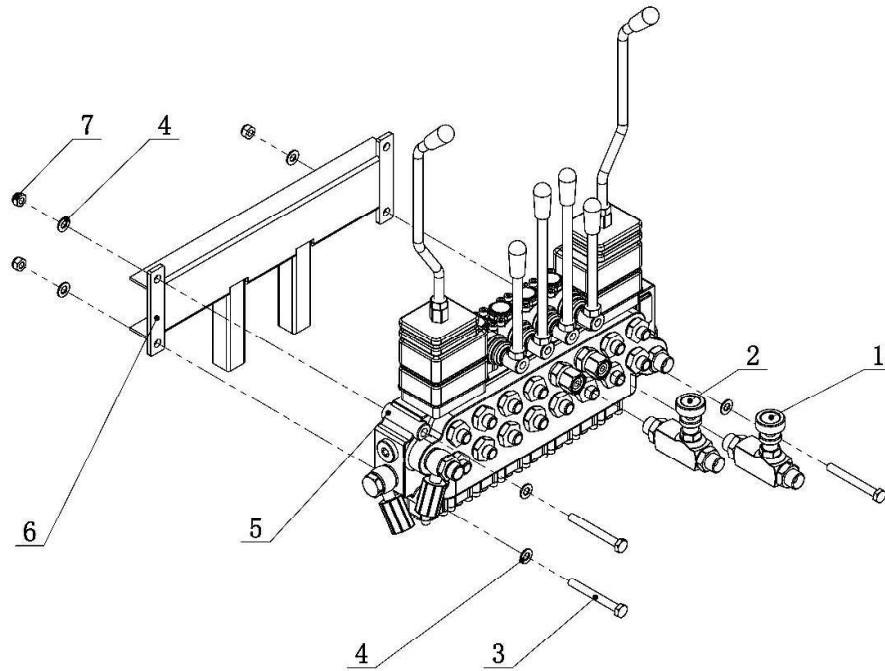
450-01-51 Grappler			
NO.	Drawing No	Part name	Qty.
1	GB / T 889.1-2000	Lock nut M16	3
2	GB / T 97.1-2002	Flat Washer 16	3
3	31 . 7125 . 325	Grab	1
4	31 . 7125 . 358	Shaft for grab	2
5	GB / T 5783-2000	Hex bolt M8X12	6
6	31 . 7115 . 334	Grab I	1
7	GB / T 97.1-2002	Flat Washer 8	6
8	21 . 7125 . 262	Cylinder plate T	1
9	JB / T 7940.1-1995	Force filling oil cup M6	8
10	11 . 7125 . 159	Cylinder shaft II	1
11	85 . 7125 . 857	Hydraulic cylinder	1
12	31 . 7115 . 335	Grab II	1
13	61 . 7115 . 604	Copper sleeve 232025	6
14	31 . 7125 . 357	Cylinder shaft I	2
15	31 . 7125 . 356	Connecting rod	1

450-02 Support frame



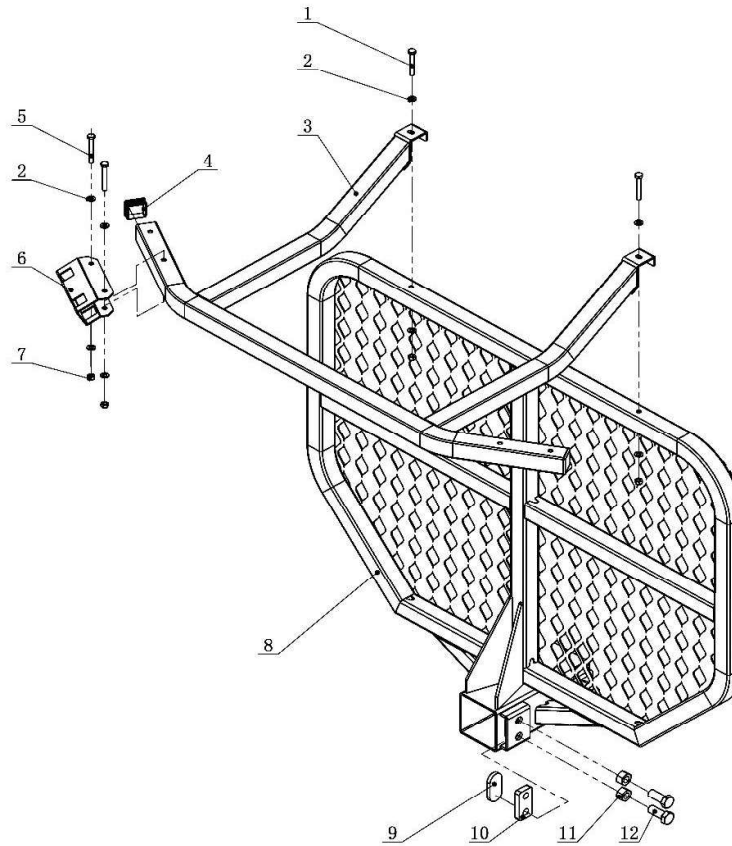
450-02 support frame			
NO.	Drawing No	Part name	Qty.
1	GB / T 5783-2000	Hex bolt M8X12	1
2	GB / T 97.1-2002	Flat Washer 8	1
3	JB / T 7940.1-1995	Force filling oil cup M6	4
4	31 . 7130 . 322	Connection shaft I	1
5	61 . 7115 . 606	Copper sleeve 252825	2
6	76 . 7115 . 7641	Straight joint M14-3/8	1
7	76 . 7130 . 769	Explosion-proof valve	1
8	76 . 7115 . 7640	Hose joint M14-3/8	1
9	85 . 7125 . 854	Vertical arm cylinder	1
10	GB / T 97.1-2002	Flat Washer 20	1
11	GB / T 889.1-2000	Lock nut M20	1
12	31 . 7125 . 312	Vertical arm	1
13	61 . 7130 . 603	Wear resistant support pad	1
14	61 . 7115 . 601	Copper sleeve 928530	1
15	61 . 7115 . 602	Copper sleeve 726530	1
16	63 . 7130 . 631	Bearing seat	1
17	GB / T 93-1987	Spring washer 6	1
18	GB / T 70.1-2008	Hex bolt M6X20	1
19	TC	Frame seal 65x90x10	1
20	21 . 7130 . 224	Gear shaft lower flat gasket	1
21	GB / T 894-2017	Spring washer for shaft 60	1
22	JB / T 7940.1-1995	Force filling oil cup M14×1.5	1
23	48 . 7130 . 481	Rotary cylinder gasket	2
24	11 . 7115 . 107	Drive rack shaft	1
25	85 . 7130 . 852	Cylinder piston	2
26	21 . 7130 . 2108	Piston gasket	2
27	GB / T 93-1987	Spring washer 14	10
28	GB / T 5783-2000	Hex bolt M14×30	2
29	11 . 7130 . 199	Cylinder tie-rod	8
30	85 . 7130 . 851	Cylinder tube	2
31	GB / T 6170-2000	Hex nut M14	8
32	GB / T 97.1-2002	Flat Washer 14	8

450-03 Multi-Control Valves



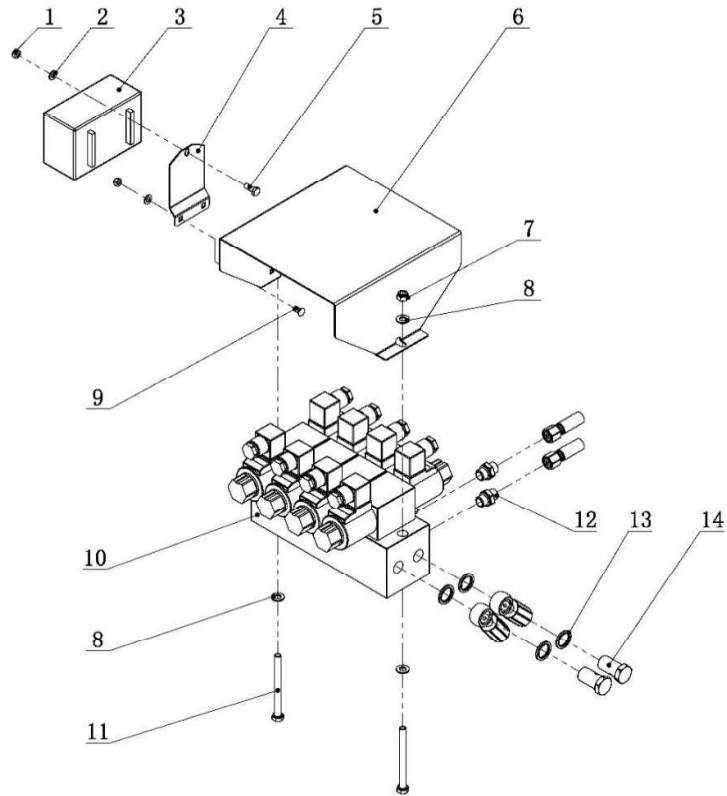
450-03 Multi-Control Valves			
NO.	Drawing No	Part name	Qty
1	L-8HL	Throttle valve (two ways)	1
2	L(A)-8HL	Throttle valve (one way)	1
3	GB / T 5782-2000	Hex bolt M8X70	3
4	GB / T 97.1-2002	Flat Washer8	6
5	76 . 7130 . 7618	8 ways valve	1
6	31 . 7325 . 350	Valve mounting seat	1
7	GB / T 889.1-2000	Lock nut M8	3

450-04 Front protection net



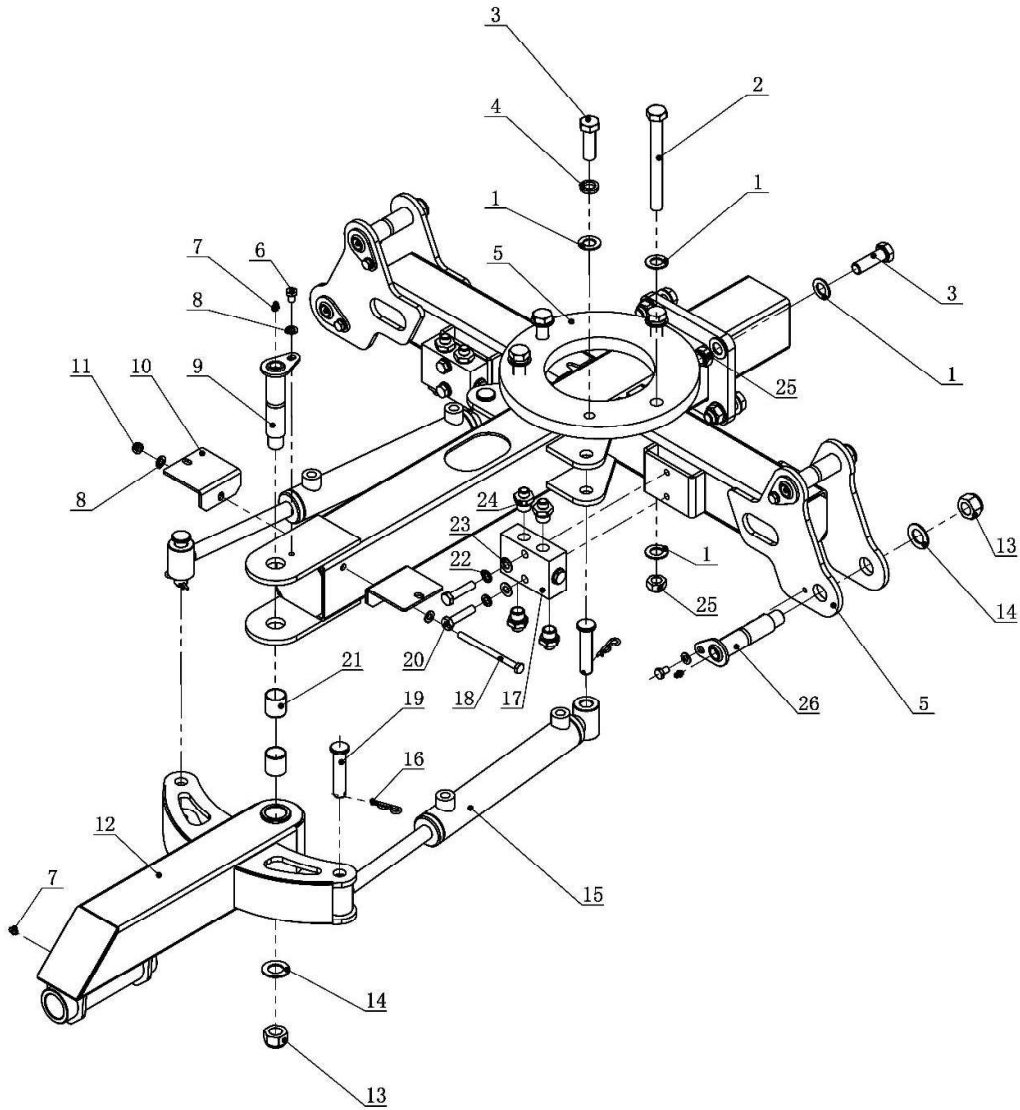
450-04 Front protection net			
NO.	Drawing No	Part name	Qty
1	GB / T 5783-2000	Hex bolt M8X55	2
2	GB / T 97.1-2002	Flat Washer 8	8
3	31 . 7525 . 363	Console welding parts	1
4	45 . 7130 . 454	Square tube 40 plug	2
5	GB / T 5782-2000	Hex bolt M8X60	2
6	21 . 7115 . 2701	Multi-way valve seat fixing plate	1
7	GB / T 889.1-2000	Lock nut M8	4
8	31 . 7525 . 317	Grid welding parts	1
9	21 . 7115 . 2709	Positioning platen	2
10	21 . 7115 . 2113	Locking plate	2
11	GB / T 6170-2000	Hex nuts M16	4
12	GB / T 5782-2000	Hex bolt M16×40	4

450-05 Solenoid valve



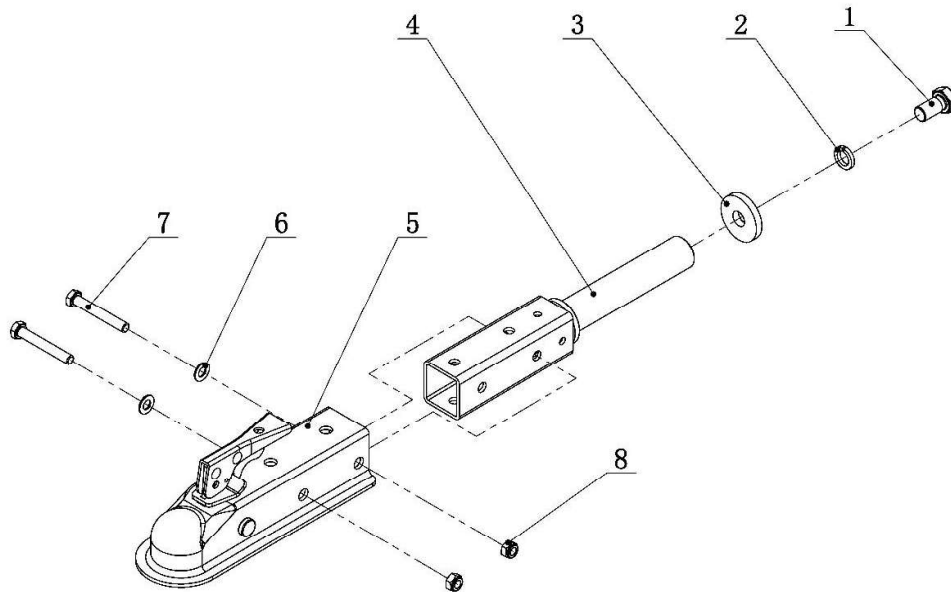
450-05 Solenoid valve			
NO.	Drawing No	Part name	Qty.
1	GB / T 889.1-2000	Lock nut M6	3
2	GB / T 97.1-2002	Flat Washer 6	3
3	46 . 7130 . 461	Remote control receiver	1
4	21 . 7115 . 295	Receiver fixing plate	2
5	GB / T 5783-2000	Hex bolt M6×16	1
6	21 . 7125 . 2128	Solenoid valve shield	1
7	GB / T 889.1-2000	Lock nut M8	2
8	GB / T 97.1-2002	Flat Washer 8	4
9	GB / T 12-1988	bolt M6X12	2
10	76 . 7125 . 7619	Solenoid valve	1
11	GB / T 5782-2000	Hex bolt M8X90	2
12	76 . 7130 . 7604	Straight joint M14	6
13	JB982-77	Combined seal 18	4
14	76 . 7130 . 7612	Bolt M14X1.5	2

450-06 Front main frame



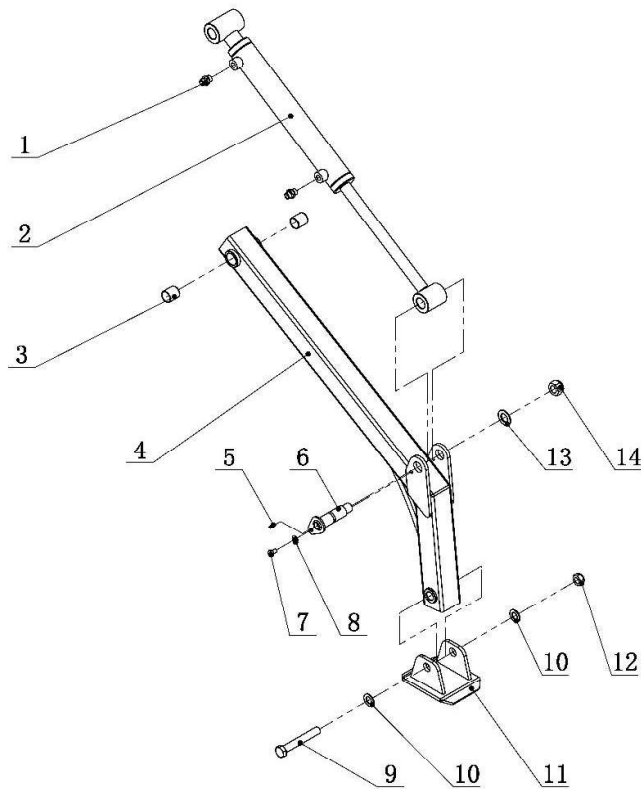
450-06 Front main frame			
NO.	Drawing No	Part name	Qty.
1	GB / T 97.1-2002	Flat Washer 16	15
2	GB / T 5782-2000	Hex bolt M16×150	2
3	GB / T 5783-2000	Hex bolt M16X50	7
4	GB / T 93-1987	Spring washer 16	3
5	31 . 7525 . 307	Main frame weldment	1
6	GB / T 5783-2000	Hex bolt M8X12	5
7	JB / T 7940.1-1995	Oil Cup M6	6
8	GB / T 97.1-2002	Flat Washer 8	7
9	31 . 7325 . 1701	Turning pin	1
10	21 . 7325 . 2665	Solenoid valve fixing plate	2
11	GB / T 889.1-2000	Lock nut M8	1
12	31 . 7125 . 366	Steering tube weldment	1
13	GB / T 889.1-2000	Lock nut M20	5
14	GB / T 97.1-2002	Flat Washer 20	5
15	85 . 7315 . 858	Corner assist cylinder	2
16	71 . 7125 . 713	R type closing pin φ3	4
17	76 . 7130 . 761	Hydraulic lockH8L	2
18	GB / T 5782-2000	Hex bolt M8X110	1
19	GB / T 882-2008	pin type B 16X75	4
20	GB / T 5782-2000	Hex bolt M10X45	4
21	61 . 7115 . 606	Copper sets 252825	2
22	GB / T 859-1987	Spring washer 10	4
23	GB / T 97.1-2002	Flat Washer 10	4
24	76 . 7130 . 7605	Connector M18-M14	8
25	GB / T 889.1-2000	Lock nut M16	6
26	31 . 7130 . 322	Connecting pin I	4

450-07 Trailer cover



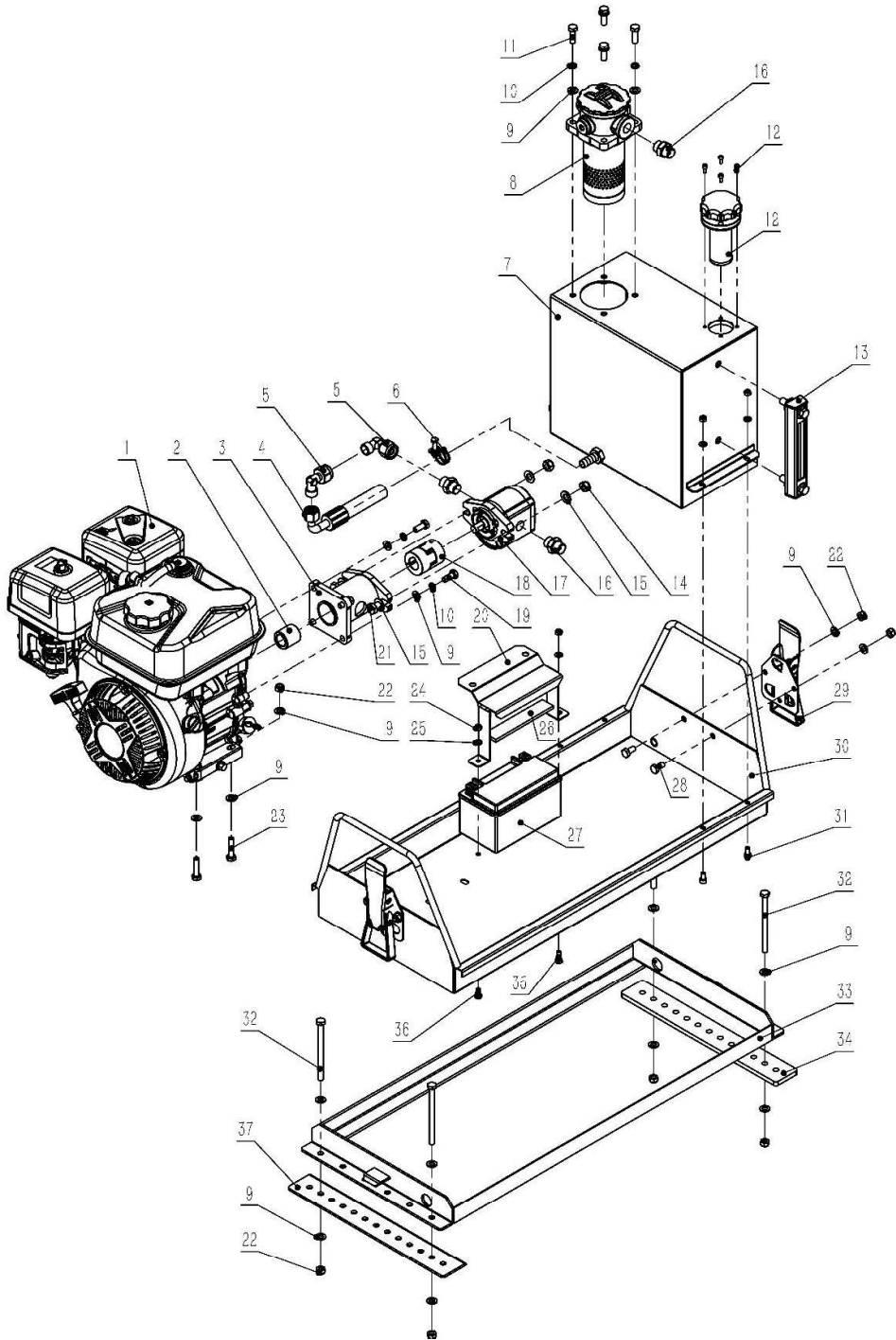
450-07 Trailer cover			
NO.	Drawing No	Part name	Qty.
1	GB / T 5783-2016	Hex bolt M16×30	1
2	GB / T 93-1987	Spring washer 16	1
3	21 . 7130 . 284	Towing bar washer	1
4	31 . 7130 . 343	Towing bar	1
5	72 . 350 . 721	Coupling	1
6	GB / T 97.1-2002	Flat Washer 10	4
7	GB / T 5783-2000	Hex bolt M10X70	2
8	GB / T 889.1-2000	Lock nut M10	2

450-08 Supporting legs



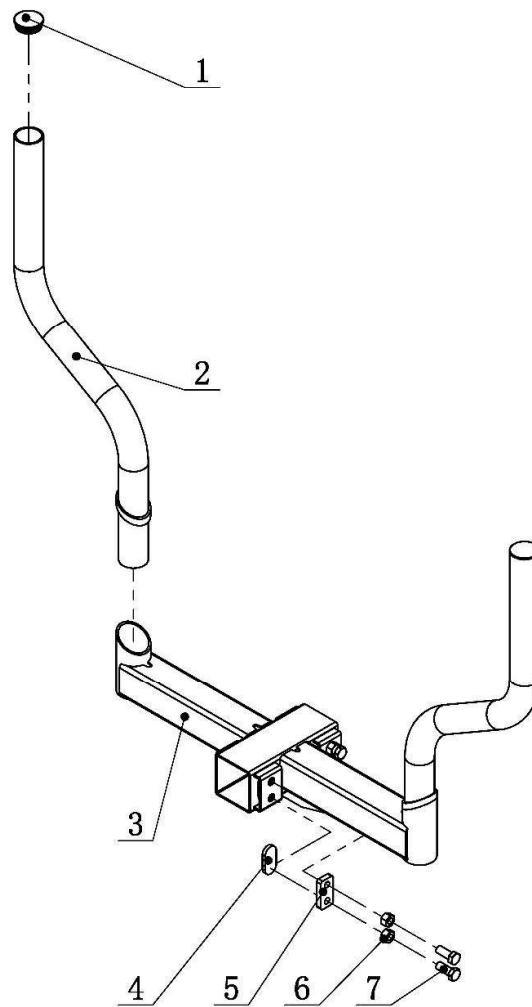
450-08 Supporting legs			
NO.	Drawing No	Part name	Qty.
1	76 . 7130 . 7604	Straight joint M14	2
2	85 . 7115 . 853	Cylinder for support leg	1
3	61 . 7115 . 606	Copper sleeve 252825	2
4	31 . 7125 . 314	Support leg	1
5	JB / T 7940.1-1995	Force filling oil cup M6	1
6	31 . 7130 . 333	Shaft for lifting frame II	1
7	GB / T 5783-2000	Hex bolt M8X12	1
8	GB / T 97.1-2002	Flat Washer 8	1
9	GB / T 5782-2000	Hex bolt M16×110	1
10	GB / T 97.1-2002	Flat Washer 16	2
11	31 . 7125 . 338	Support leg frame	1
12	GB / T 889.1-2000	Lock nut M16	1
13	GB / T 97.1-2002	Flat Washer 20	1

450-09 power unit



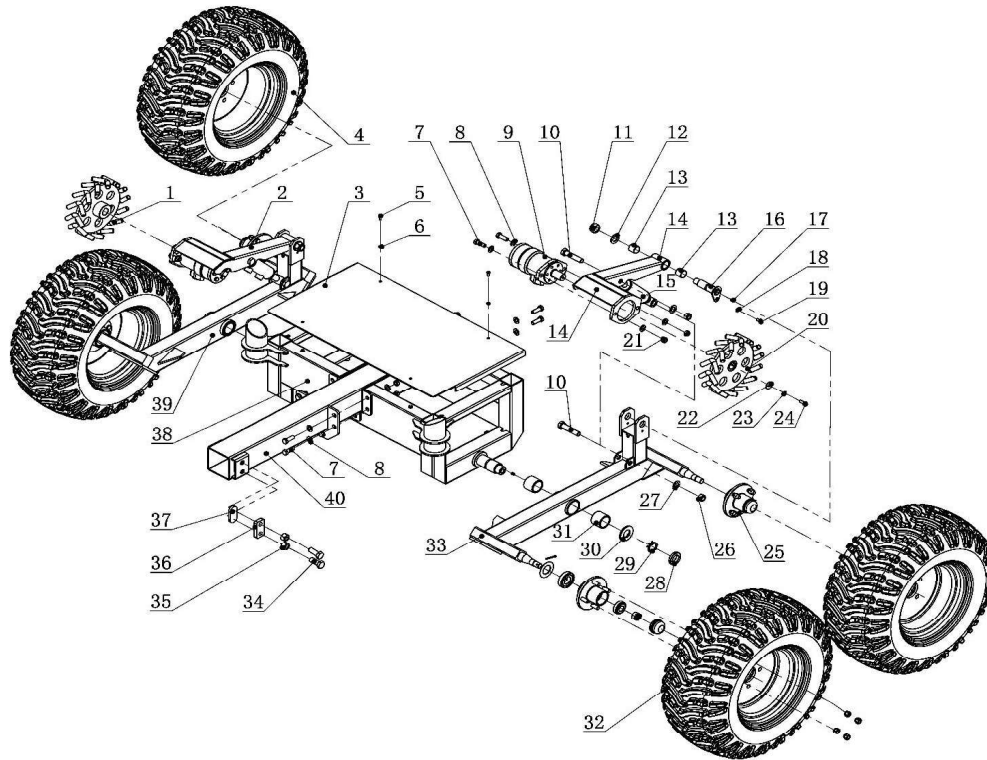
450-09 power unit			
NO.	Drawing No	Part name	Qty.
1	DH212CC	7HP gasoline engine	1
2	11 . 7130 . 172	Crankshaft spacer	1
3	31 . 7125 . 346	Coupling shell	1
4	73 . 7115 . 7301	Tube /A	1
5	76 . 7115 . 7616	Right angle joint M18	2
6	QC / T 619-19100	Double wire clamp d22	1
7	31 . 7115 . 932	Oil tank	1
8	76 . 7115 . 769	Filter RFA-25	1
9	GB / T 97.1-2002	Flat Washer 8	28
10	GB / T 93-1987	Spring washer 8	8
11	GB / T 5783-2000	Hex bolt M8×25	4
12	76 . 7115 . 768	Filter for oil inlet port	1
13	76 . 7130 . 760	Dipstick YWZ-150T	1
14	GB / T 889.1-2000	Lock nut M10	2
15	GB / T 97.1-2002	Flat Washer 10	4
16	76 . 7130 . 7602	Straight joint M18X1.5	3
17	86 . 7325 . 862	Pump CBD-F3.5	1
18	77 . 7115 . 771	Coupling 20-12-50	1
19	GB / T 5783-2000	Hex bolt M8X20	4
20	31 . 7115 . 931	Battery pressing plate	1
21	GB / T 5783-2000	Hex bolt M10×35	2
22	GB / T 889.1-2000	Lock nut M8	12
23	GB / T 5783-2000	Hex bolt M8×35	4
24	GB / T 889.1-2000	Lock nut M6	6
25	GB / T 97.1-2002	Flat Washer 6	8
26	43 . 7115 . 432	Damping rubber strip	1
27	87 . 7115 . 877	battery	1
28	GB / T 5783-2000	Hex bolt M8X16	4
29	72 . 7115 . 721	Hasp	2
30	31 . 7115 . 997	Power units frame	1
31	GB / T 70.1-2008	Hex bolt M6×12	4
32	GB / T 5783-2000	Hex bolt M8×110	4
33	31 . 7115 . 355	Mounting plate for power units	1
34	21 . 7115 . 214	Fixing plate for power units I	1
35	GB / T 5783-2000	Hex bolt M6×16	1
36	GB / T 5783-2000	Hex bolt M6×12	1
37	21 . 7115 . 215	Fixing plate for power units II	1

450-011 Front railing support



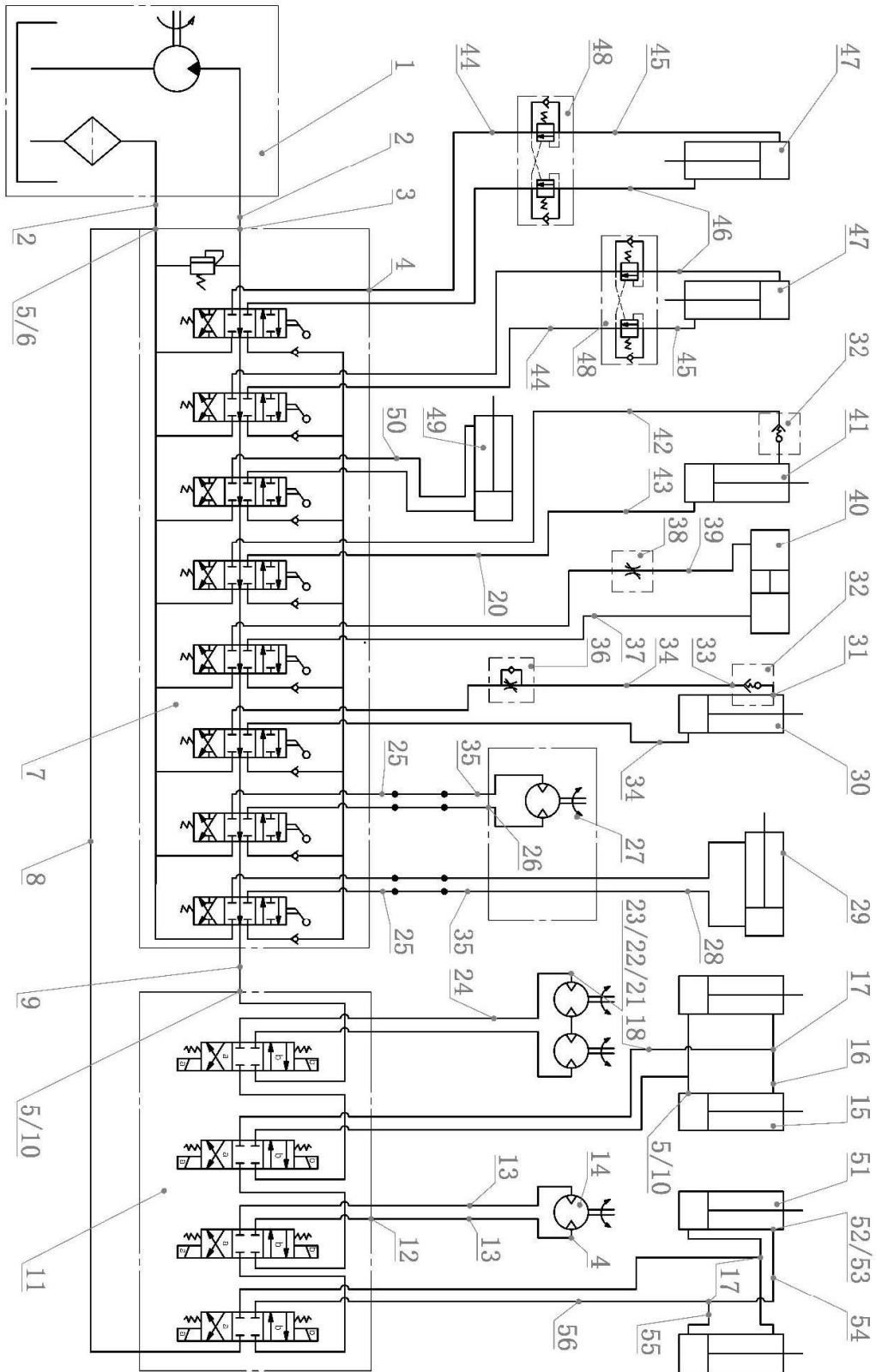
450-011 Front railing support			
NO.	Drawing No	Part name	Qty.
1	45 . 7130 . 458	Round tube plug $\phi 60$	2
2	31 . 7130 . 301	Railings	2
3	31 . 7125 . 304	Bar frame	1
4	21 . 7115 . 2709	Limit position pressing plate	2
5	21 . 7115 . 2113	Tightening plate	2
6	GB / T 6170-2000	Hex nut M16	4
7	GB / T 5782-2000	Hex bolt M16×40	4

450-012 wheel frame base



450-011 Trailer rear body			
NO.	Drawing No	Part name	Qty.
1	31 . 7125 . 350	Driven wheel I	1
2	31 . 7125 . 347	Driven swivel arm I	1
3	21 . 7225 . 2110	Controller cover for 4x4 driven	1
4	45 . 7125 . 452	wheel (right)	2
5	GB / T 5783-2000	Hex bolt M6×12	4
6	GB / T 97.1-2002	Flat mat 6	4
7	GB / T 889.1-2000	Hex bolt M12X35	4
8	GB / T 97.1-2002	Flat mat 12	8
9	86 . 7115 . 863	Driven hydraulic motor	2
10	GB / T 5782-2000	Hex bolt M16×75	4
11	GB / T 889.1-2000	Lock nut M20	2
12	GB / T 97.1-2002	Flat mat 20	2
13	61 . 7115 . 606	Copper sleeve 252825	4
14	31 . 7125 . 348	Driven swivel arm II	1
15	85 . 7225 . 856	Driven wheel cylinder	2
16	31 . 7130 . 333	Lifting part shaft II	2
17	JB / T 7940.1-1995	Force filling oil cup M6	4

18	GB / T 97.1-2002	Flat mat 8	2
19	GB / T 5783-2000	Hex bolt M8X12	2
20	31 . 7125 . 351	Driven wheel II	1
21	GB / T 5782-2000	Lock nut M12	4
22	GB / T 5287-2002	Extra large washer 8	2
23	GB / T 93-1987	Spring washer 8	2
24	GB / T 5783-2000	Hex bolt M8X20	2
25	99 . 7115 . 72	Hub flange	4
26	GB / T 889.1-2000	Lock nut M16	4
27	GB / T 97.1-2002	Flat mat 16	4
28	GB / T 812-1988	Round nut M30×1.5	2
29	GB / T 858-1988	Stop moving washer 30	2
30	21 . 7125 . 2106	Washer for wheel frame shaft	2
31	61 . 7115 . 605	Copper sleeve 405040	4
32	45 . 7125 . 451	wheel (left)	2
33	31 . 7125 . 349.2	Wheel axle II	1
34	GB / T 5782-2000	Hex bolt M16×40	4
35	GB / T 6170-2000	Hex nut M16	4
36	21 . 7115 . 2113	Tightening plate	2
37	21 . 7115 . 2709	Positioning pressing plate	2
38	31 . 7125 . 352	4x4 driven seat	1
39	31 . 7125 . 349	Wheel axle I	1
40	31 . 7525 . 3522	Four-wheel drive seat with outer casing	1



Hydraulic pack			
NO.	Drawing No	Part name	Qty
1	450-09	Power unit	1
2	73 . 7115 . 450	Oil outlet pipe	2
3	76 . 7130 . 7602	Straight joint M18X1.5	1
4	76 . 7130 . 7605	Straight joint M14X1.5-18X1.5	14
5	JB982-77	Combination pad 18	8
6	76 . 7115 . 7639	Long bolt M18X1.5	1
7	76 . 7325 . 7618	8 ways valve	1
8	73 . 7115 . 160.1	Valve tube 1	1
9	73 . 7115 . 160.2	Valve tube 2	1
10	76 . 7325 . 7638	Hinge bolt M18X1.5	3
11	76 . 7125 . 7619	Solenoid valve	1
12	76 . 7130 . 7604	Straight joint M14X1.5	6
13	73 . 7325 . 250	Winch hose	2
14	86 . 101 . 863	Winch motor	1
15	85 . 7225 . 856	Cylinder for driven wheel	2
16	73 . 7325 . 55	Cylinder hose	4
17	76 . 7115 . 7642	Male tee M14X1.5	4
18	73 . 7115 . 350	Cylinder hose (long)	2
19	86 . 7115 . 863	Driven wheel motor	2
20	73 . 7115 . 113	Motor hose	1
21	76 . 7115 . 7643	Joint G1 / 2 male-G1 / 4 female	4
22	JB982-77	Combination pad G1/4	4
23	76 . 7115 . 7644	Hinge bolt G1/4	4
24	73 . 7115 . 386	Motor hose (long)	2
25	73 . 7325 . 475	Grab hose (long)	2
26	76 . 7115 . 7645	Straight joint M14X1.5-G1 / 4	6
27	86 . 7130 . 861	Rotary motor	1

28	73 . 7115 . 46	cylinder hose for grab	2
29	85 . 7125 . 857	Cylinder for grab	1
30	85 . 7125 . 854	Cylinder for vertical arm	1
31	76 . 7115 . 7640	M14X1.5-3/8 joint	2
32	76 . 7130 . 769	Explosion proof valve	2
33	76 . 7115 . 7641	Straight joint M14-3/8	2
34	73 . 7325 . 303	Hose for support arm	1
35	73 . 7325 . 70	Hose for vertical arm (short)	1
36	L(A)-8HL	throttle valve (one way)	1
37	73 . 7325 . 175	Revolve hose (long)	1
38	L-8HL	throttle valve (two ways)	1
39	73 . 7325 . 166	Revolve hose (short)	1
40	85 . 7130 . 851	Cylinder for revolve arm	1
41	85 . 7125 . 852	Cylinder for middle arm	1
42	73 . 7325 . 368	Hose for middle arm (long)	1
43	73 . 7325 . 334	Hose for middle arm (short)	1
44	73 . 7325 . 177	Hose for support leg (long)	4
45	73 . 7325 . 54	Hose for support leg (short-1)	2
46	73 . 7325 . 43	Hose for support leg (short-2)	2
47	85 . 7125 . 853	Cylinder for support leg	2
48	76 . 7130 . 761	Hydraulic lock	2
49	85 . 7225 . 855	Cylinder for telescopic arm	1
50	73 . 7325 . 500	Hose for telescopic arm	2
51	85 . 7325 . 858	Turning cylinder	2
52	JB982-77	Combination pad 14	8
53	76 . 7130 . 7612	hinged bolts M14X1.5	4
54	73 . 7325 . 49	Turn connection hose (long)	2
55	73 . 7325 . 25	Turn connection hose (short)	2
56	73 . 7325 . 120	Turn hose	2